



Business Opportunities

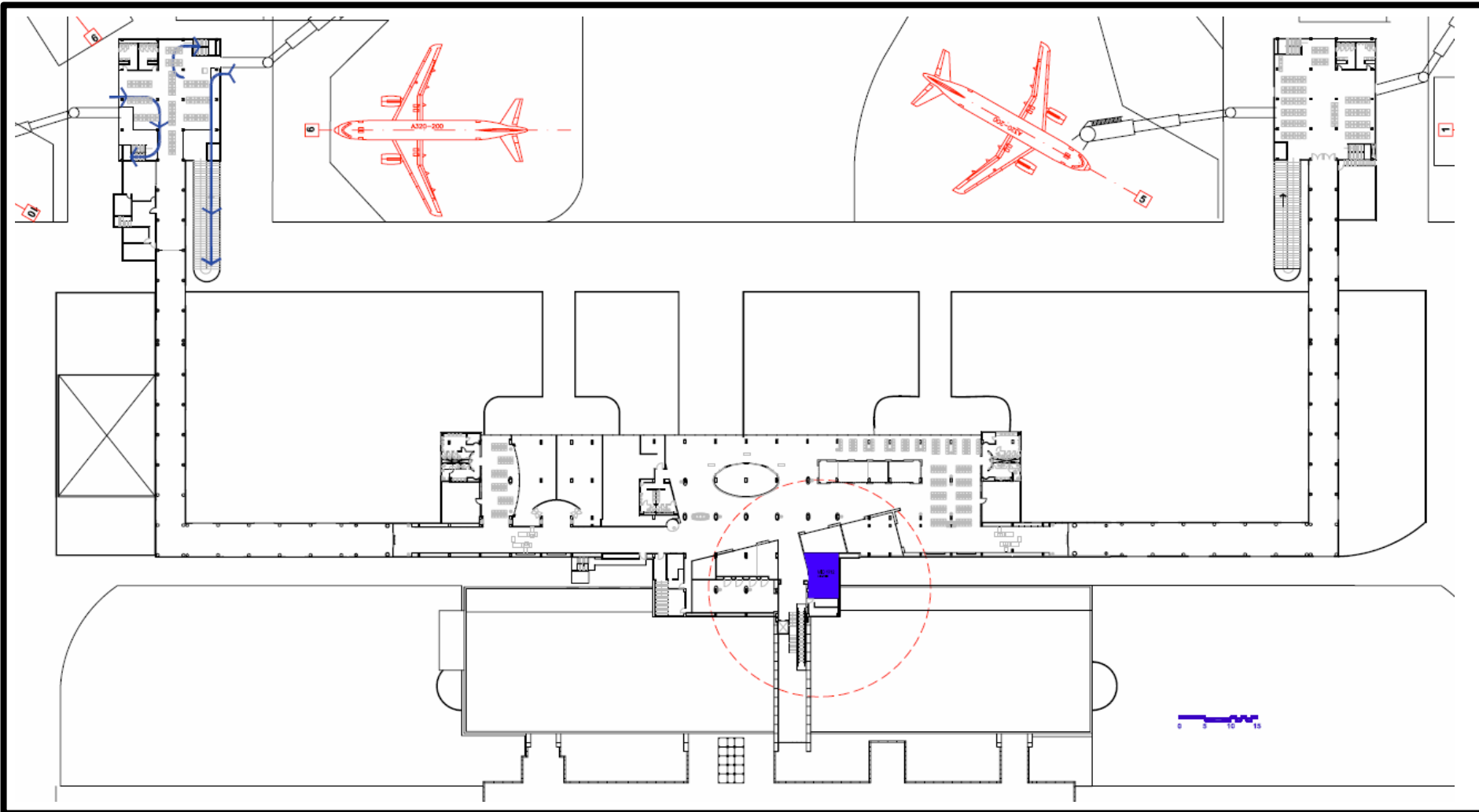
# List of Available Units

For more information, please contact:

Manuel Gutiérrez ([mgutierrez@asur.com.mx](mailto:mgutierrez@asur.com.mx))

Adolfo Castro ([acastro@asur.com.mx](mailto:acastro@asur.com.mx))

# Mérida Airport



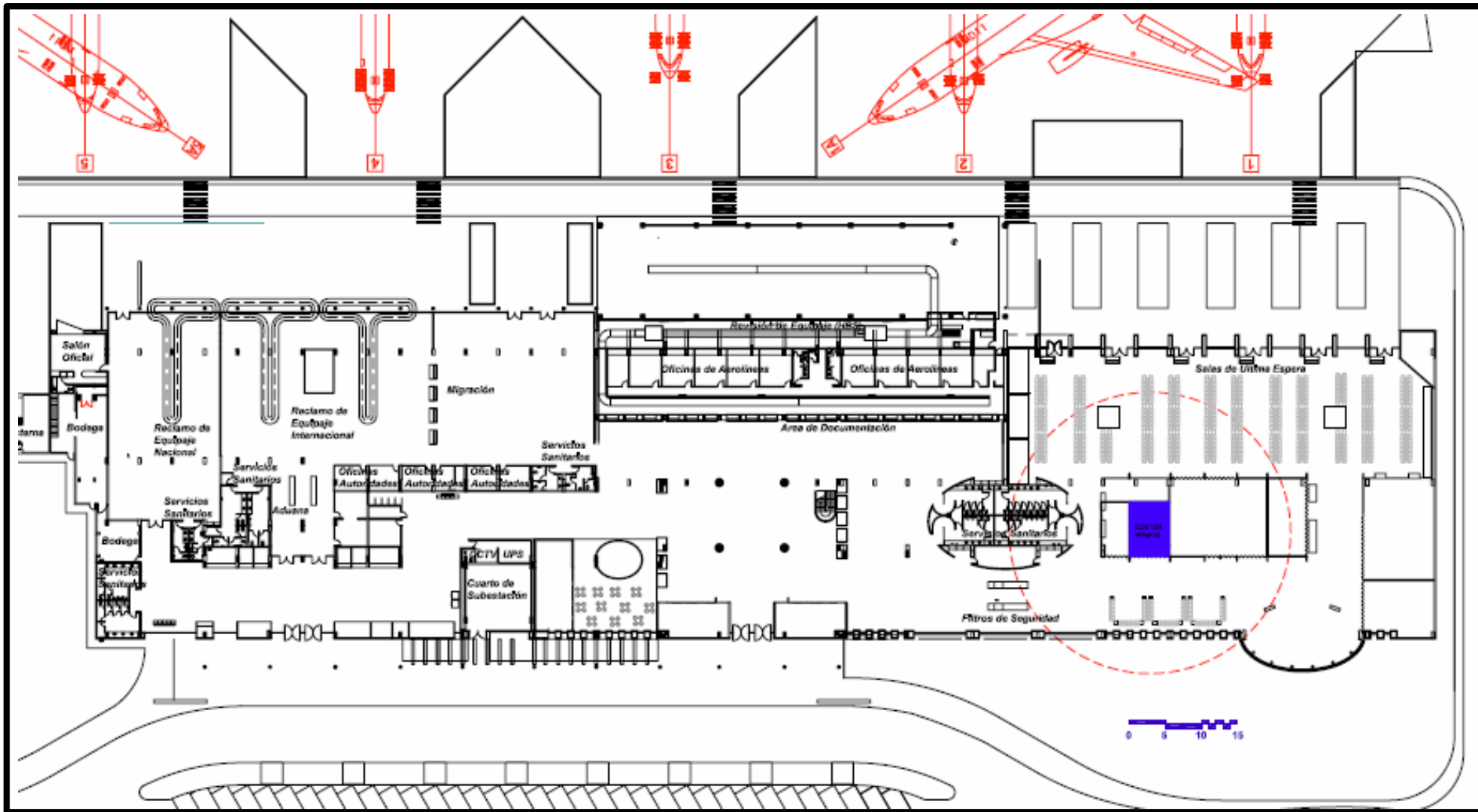
Mérida Airport

Unit: MID 1712

Area: 52.87 m<sup>2</sup> (upper level, landside)



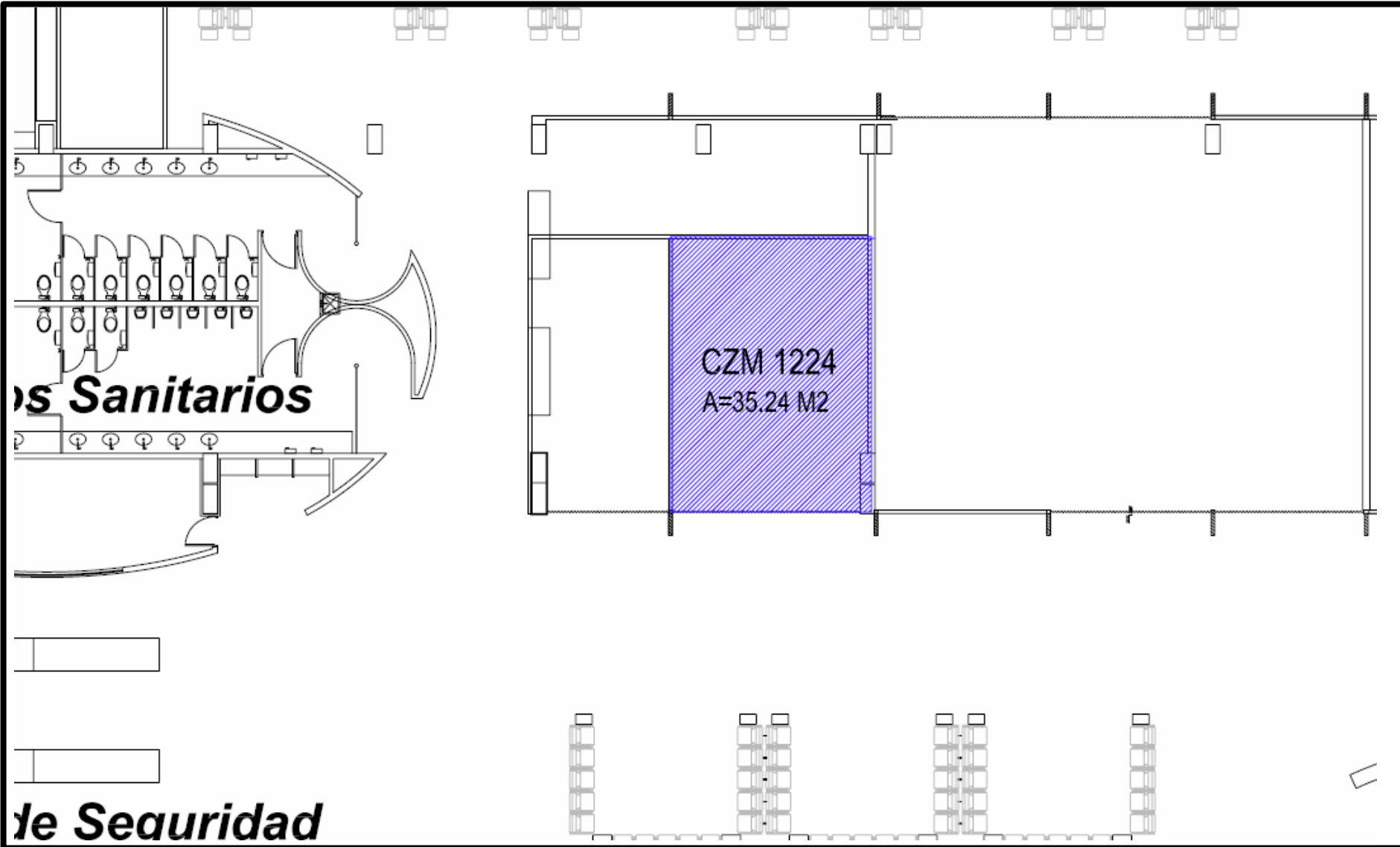
# Cozumel Airport



Cozumel Airport

Unit: CZM 1224

Area: 35.24 m<sup>2</sup> (lower level, airside boarding lounge)

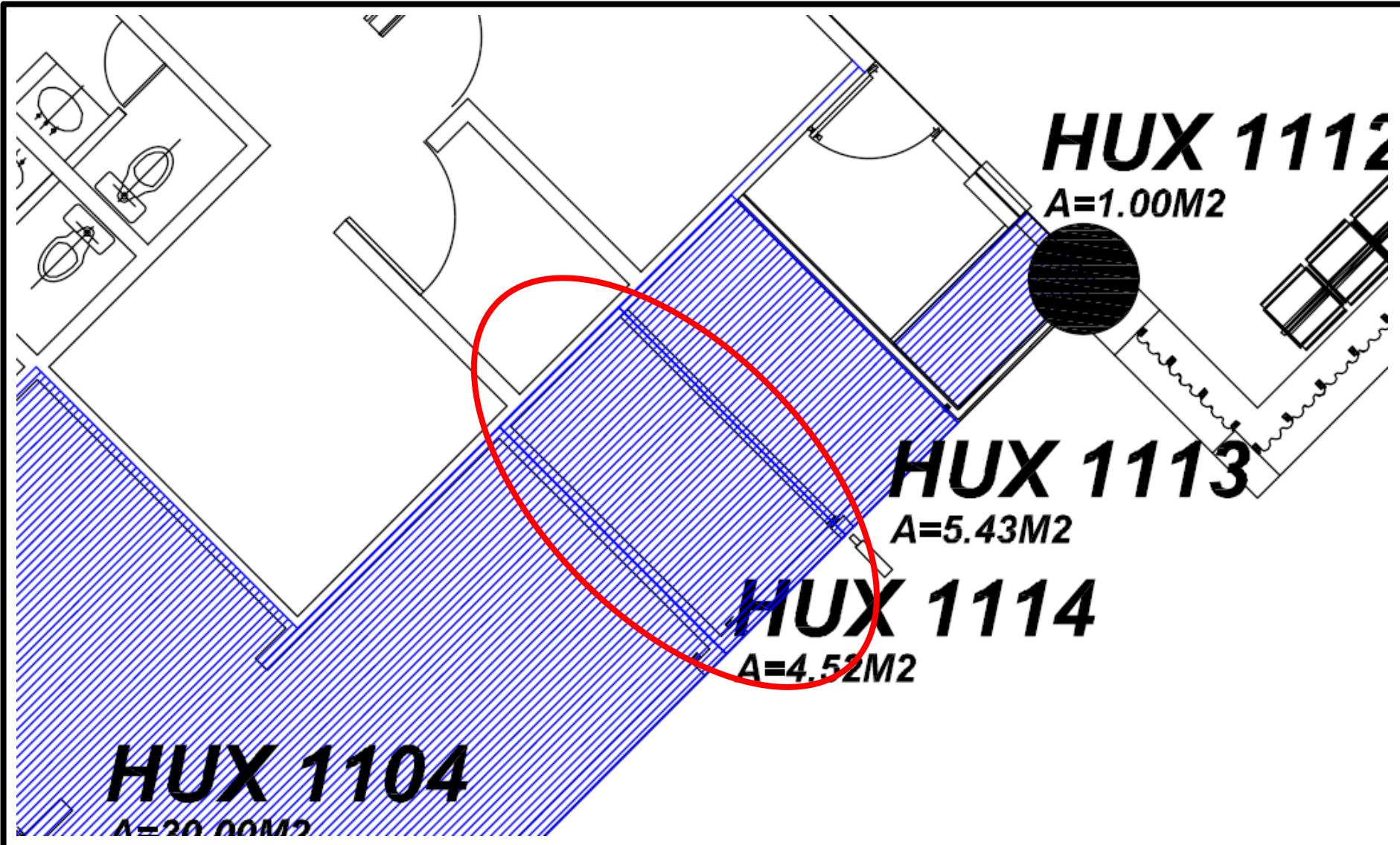




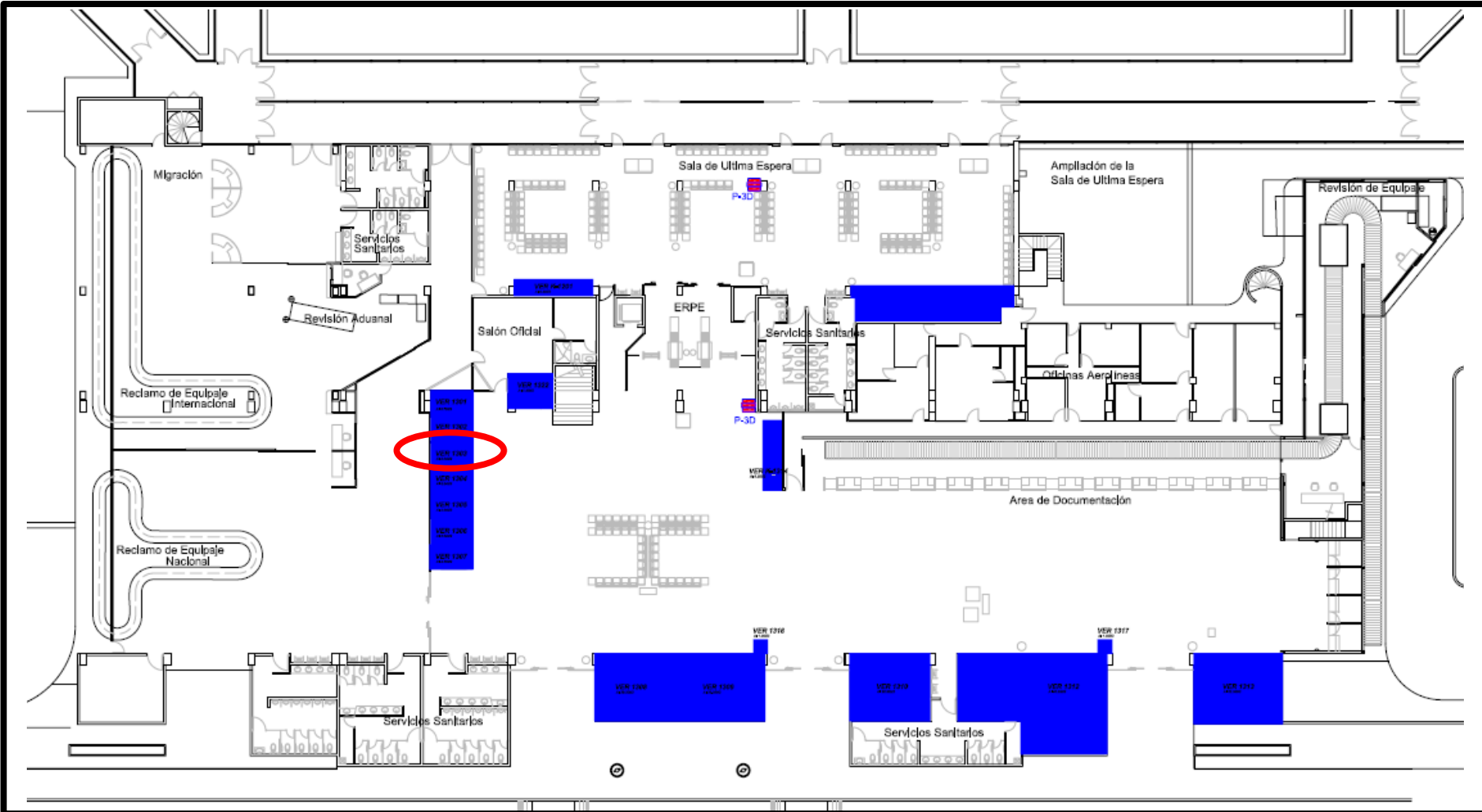
Huatulco Airport

Unit: HUX 1114

Area: 4.52 m<sup>2</sup> (lower level, landside concourse)



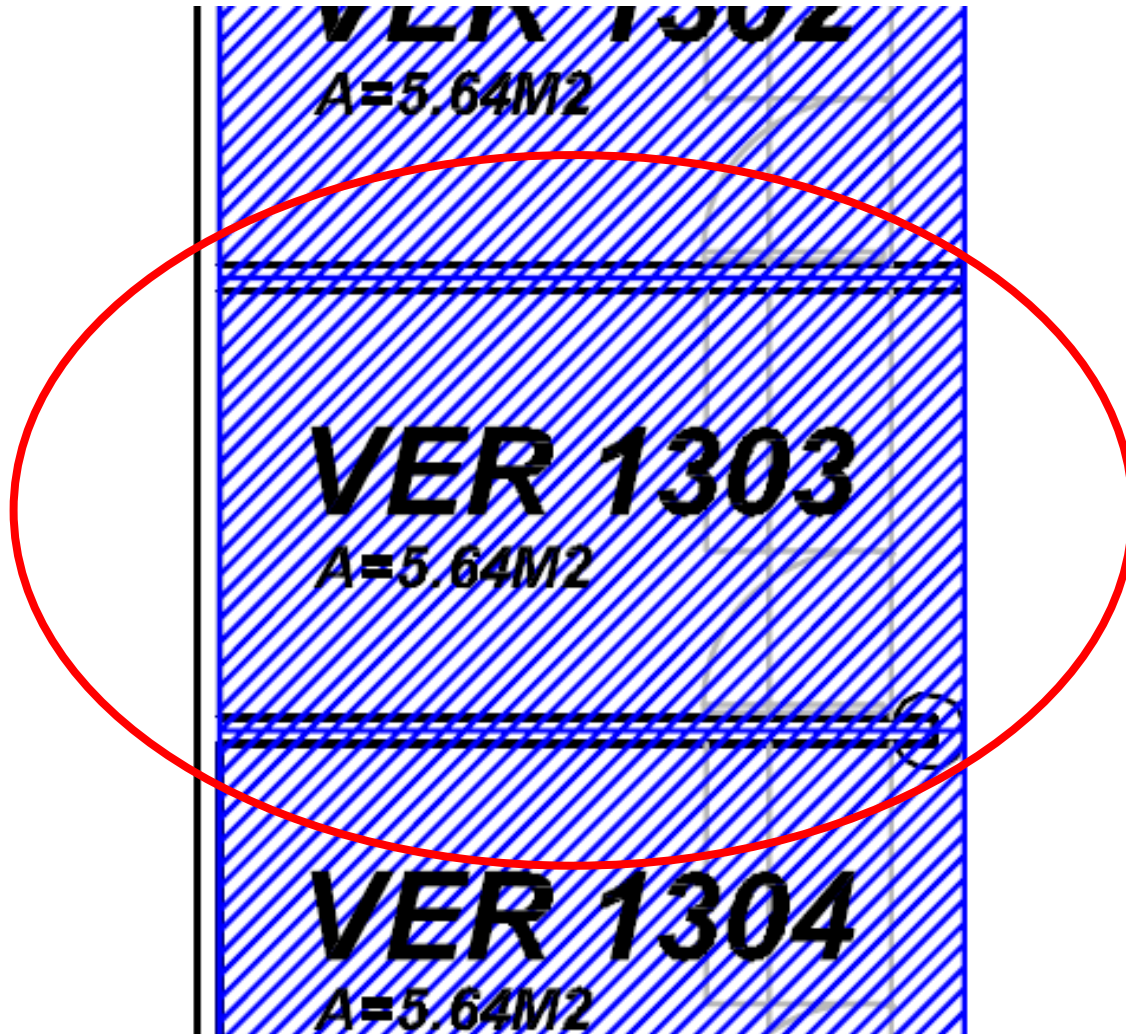
# Veracruz Airport



Veracruz Airport

Unit: VER 1303

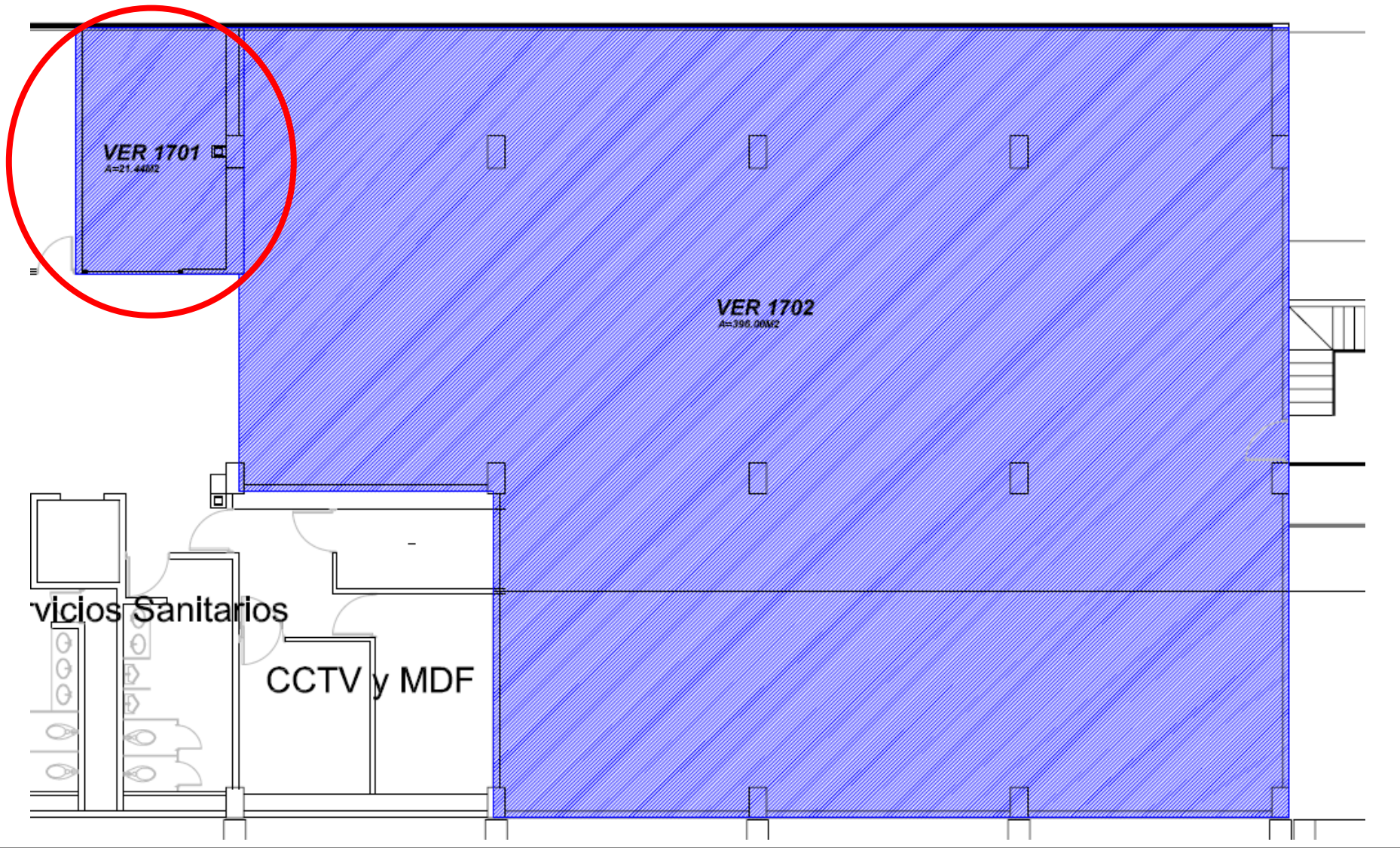
Area: 5.64 m<sup>2</sup> (lower level, landside concourse)



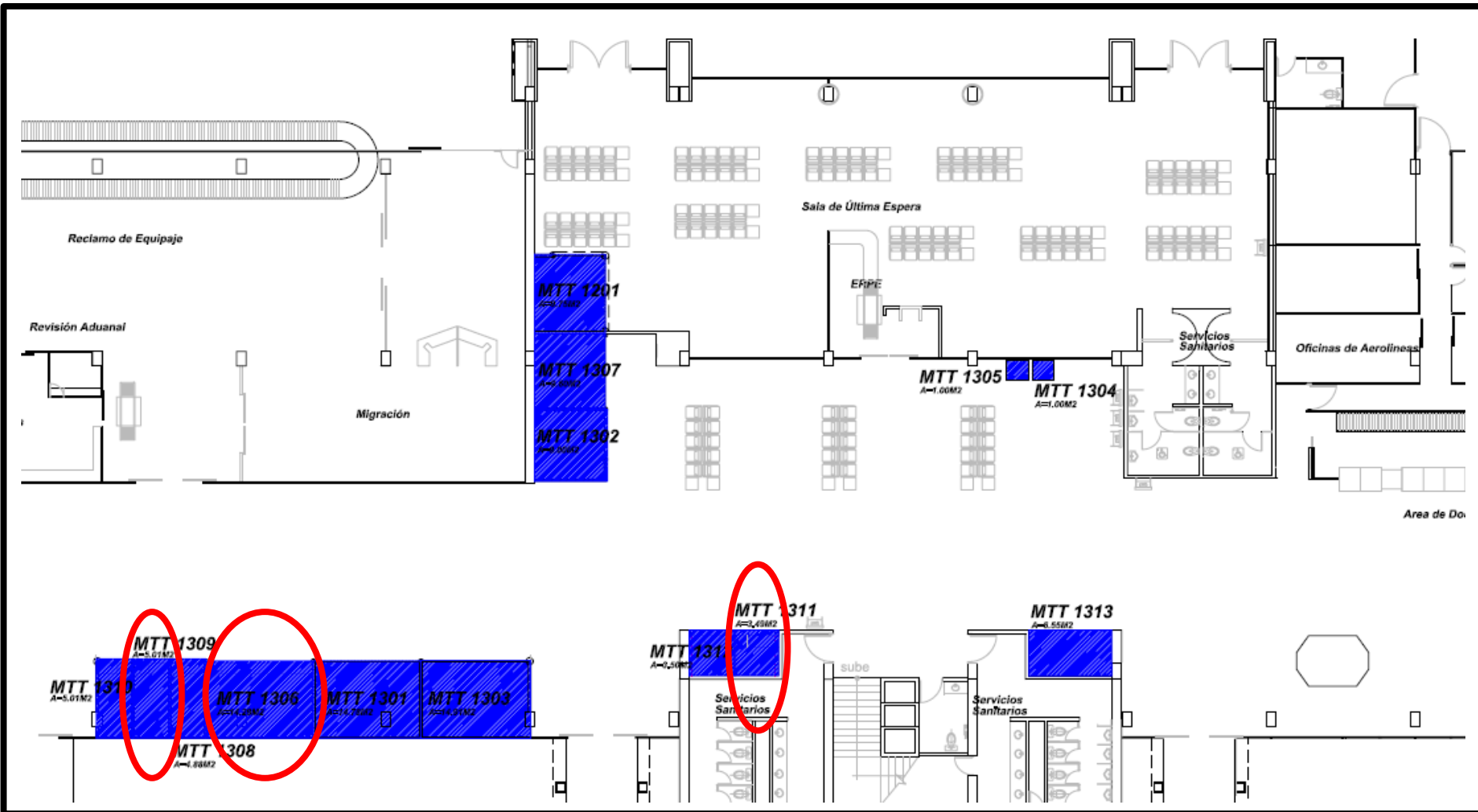
Veracruz Airport

Unit: VER 1701

Area: 21.44 m<sup>2</sup> (upper level, landside)



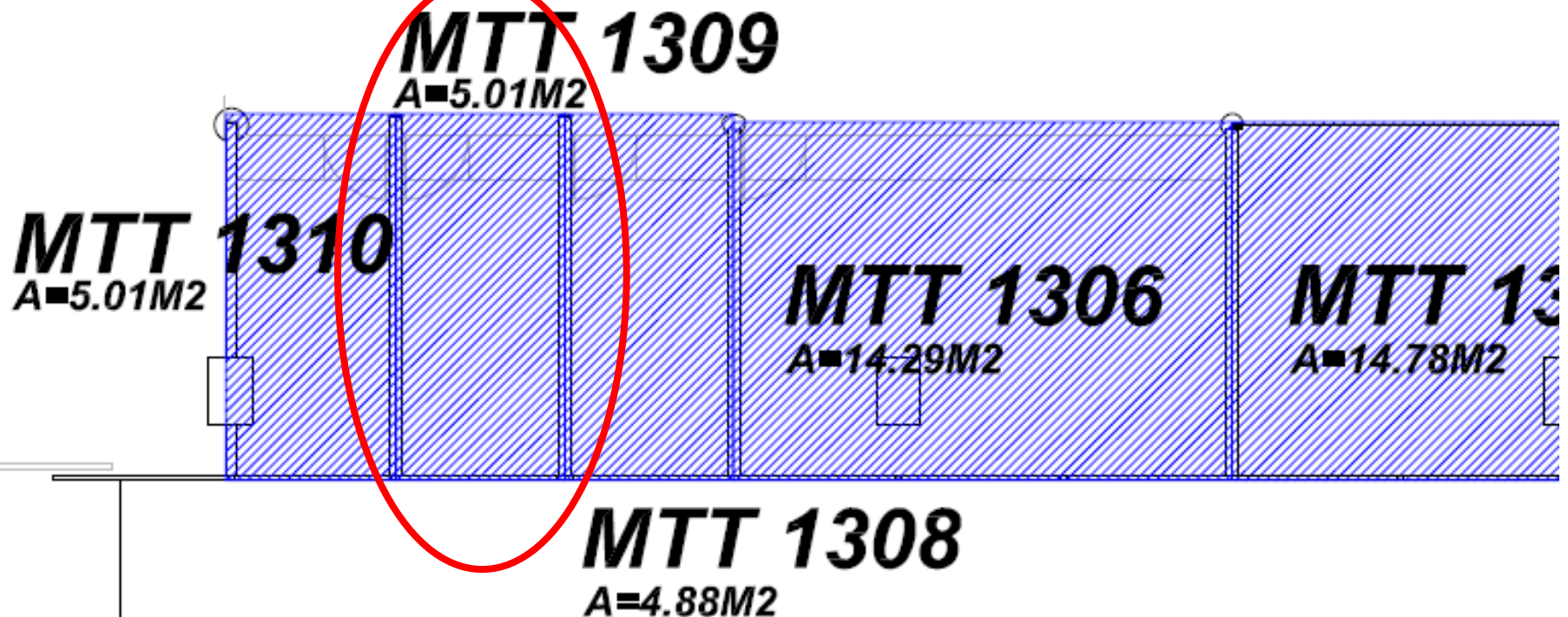
# Minatitlán Airport



Minatitlán Airport

Unit: MTT 1309

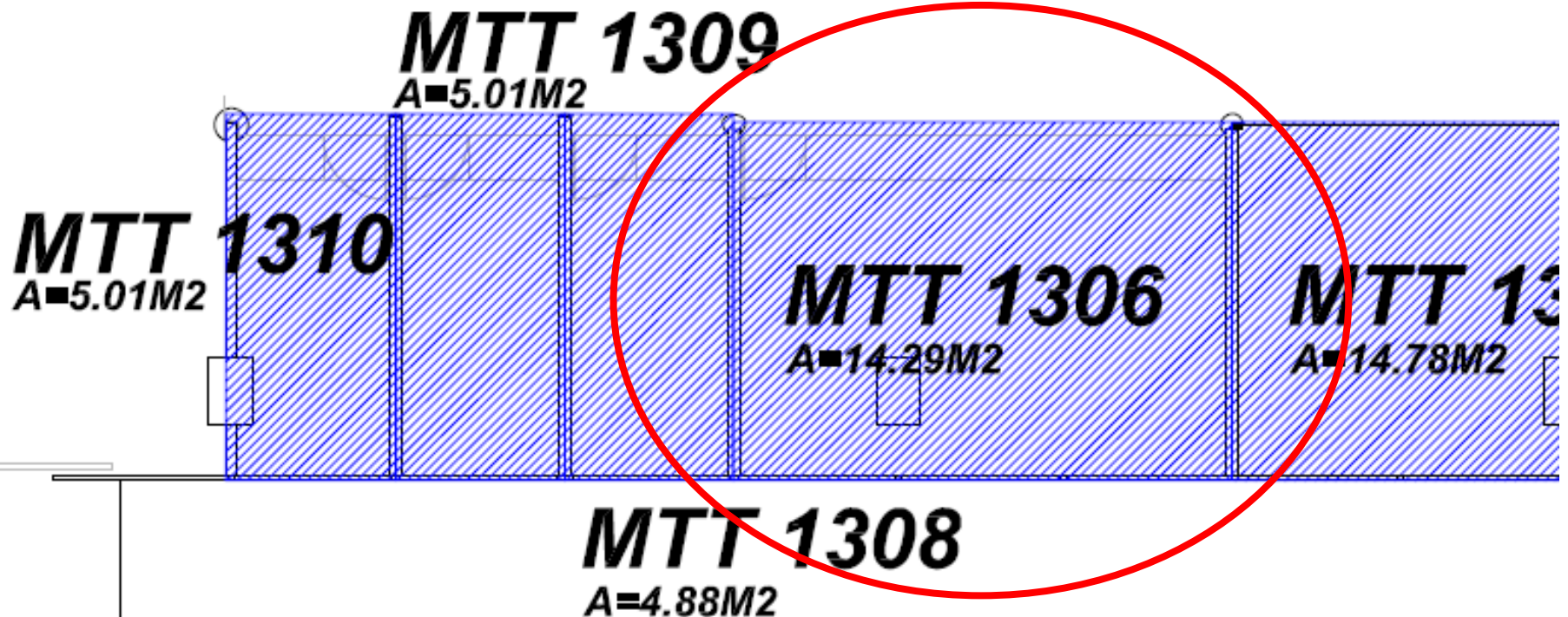
Area: 5.01 m<sup>2</sup> (lower level, landside concourse)



Minatitlán Airport

Unit: MTT 1306

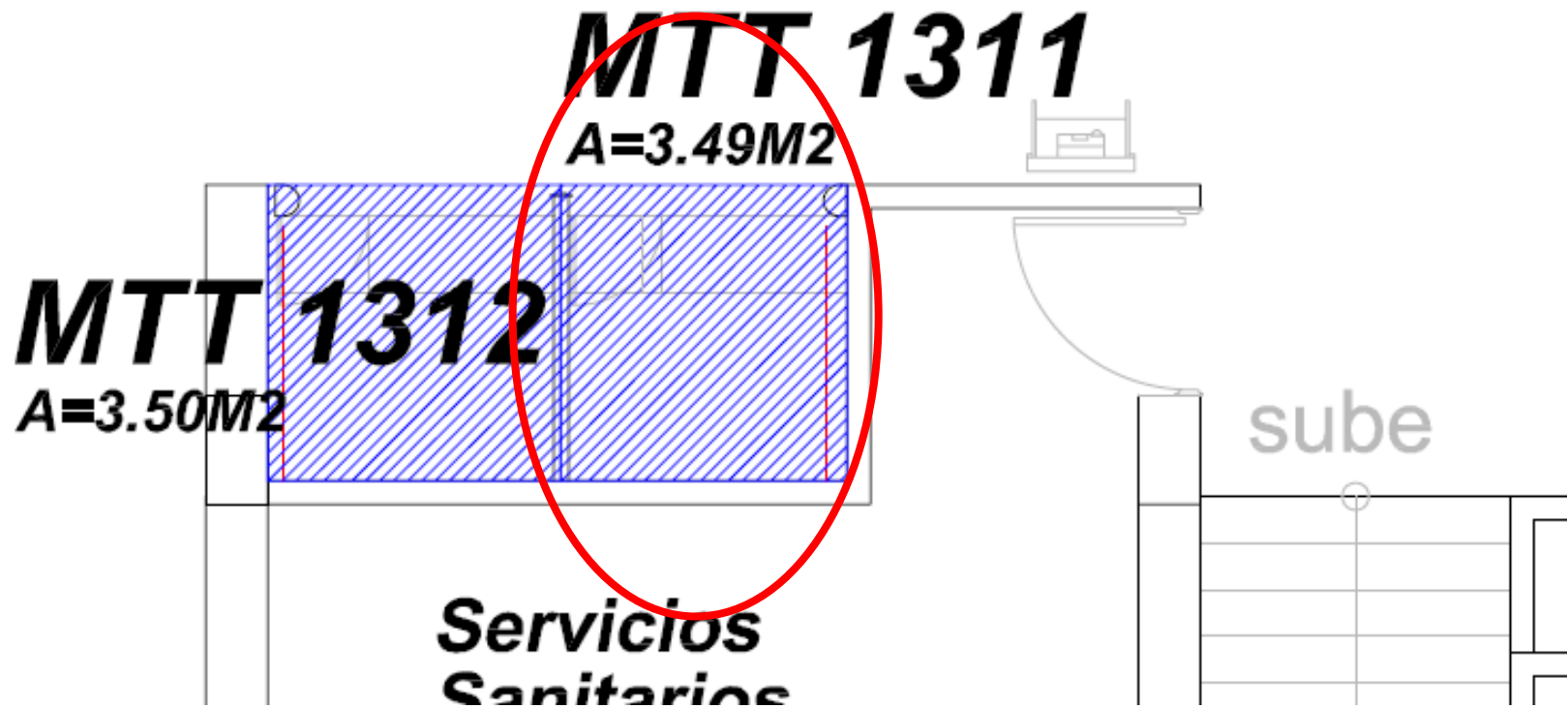
Area: 14.29 m<sup>2</sup> (lower level, landside concourse)



Minatitlán Airport

Unit: MTT 1311

Area: 3.49 m<sup>2</sup> (lower level, landside concourse)



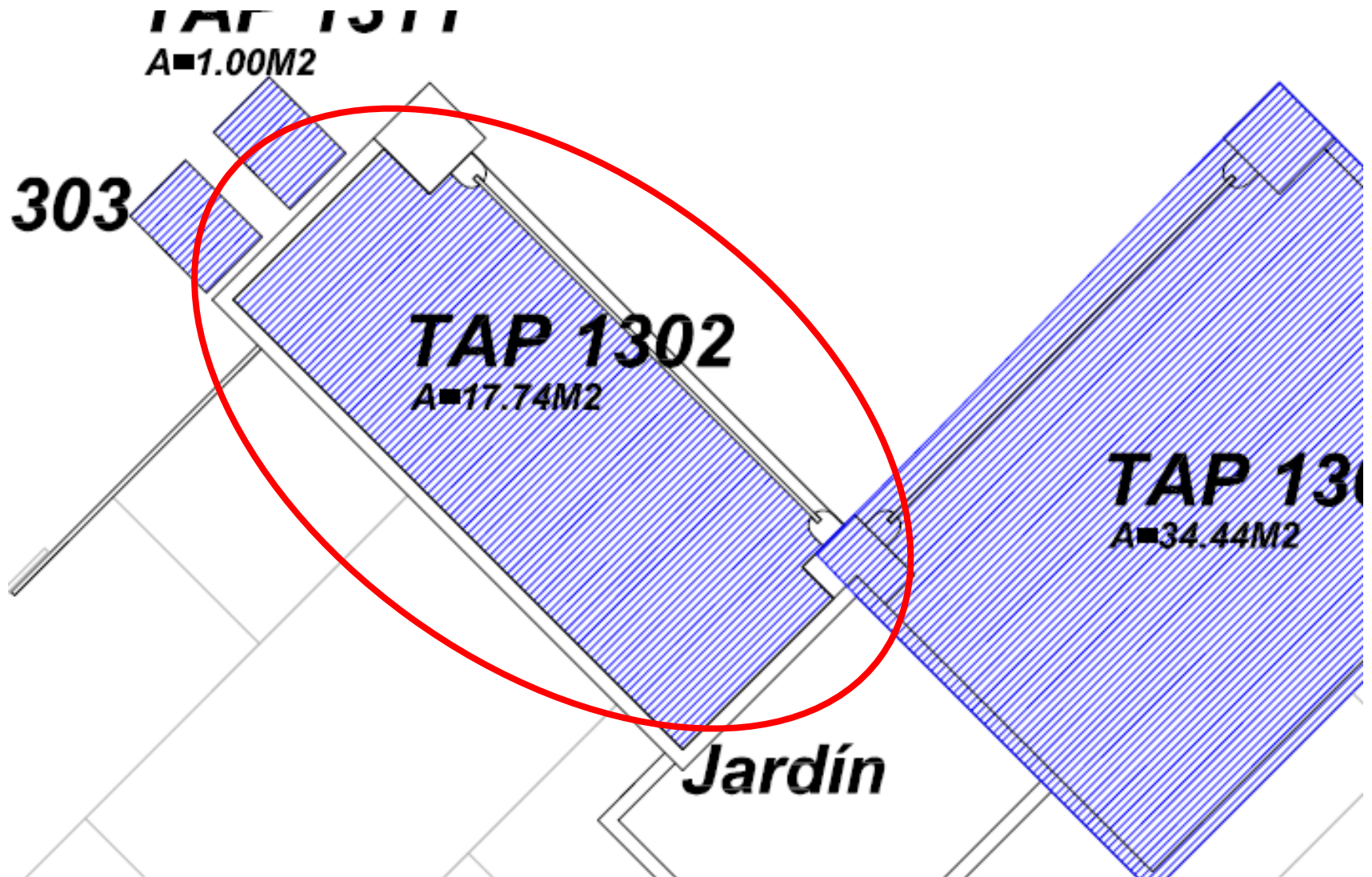
# Tapachula Airport



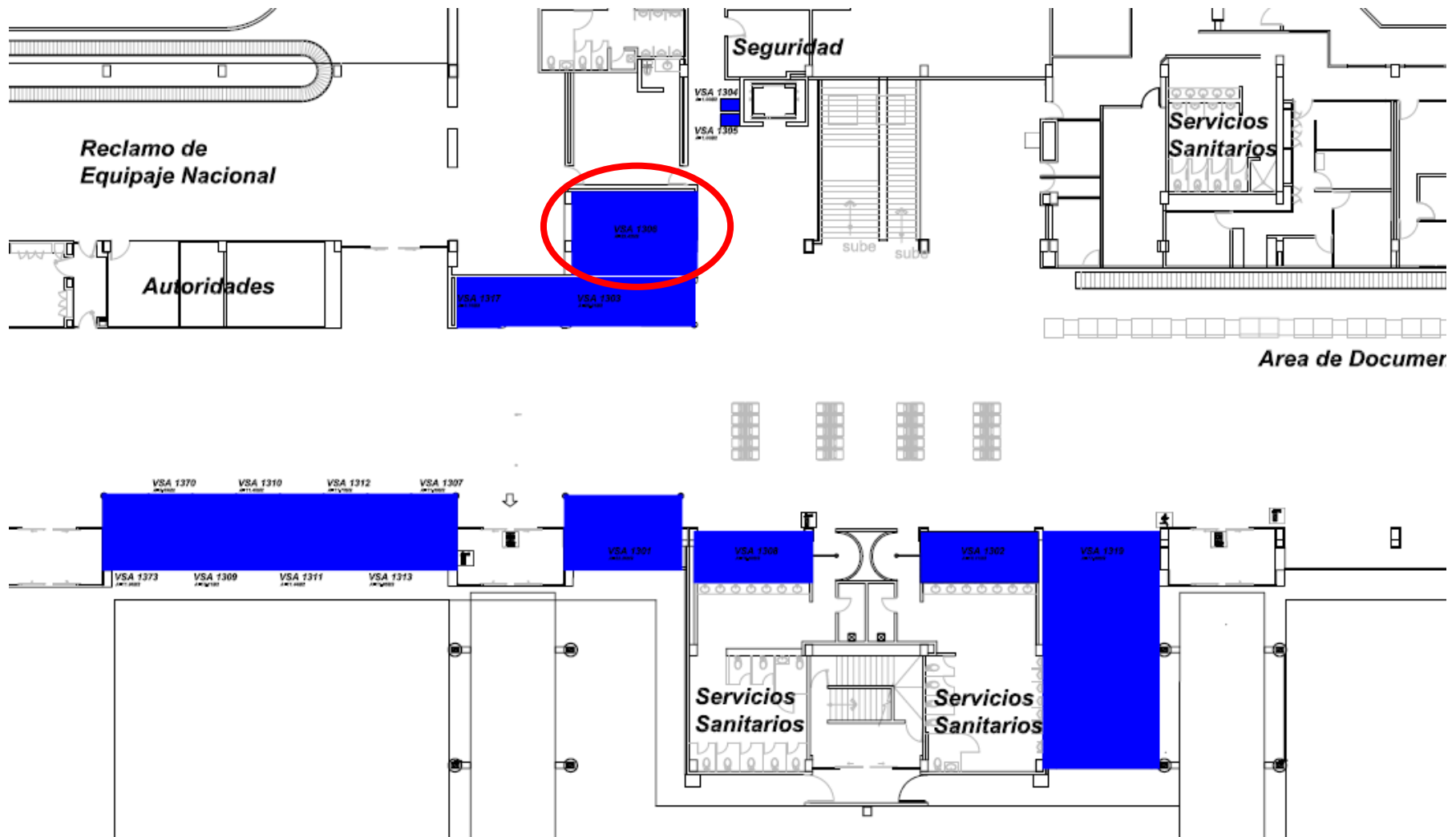
Tapachula Airport

Unit: TAP 1302

Area: 17.74 m<sup>2</sup> (lower level, landside concourse)



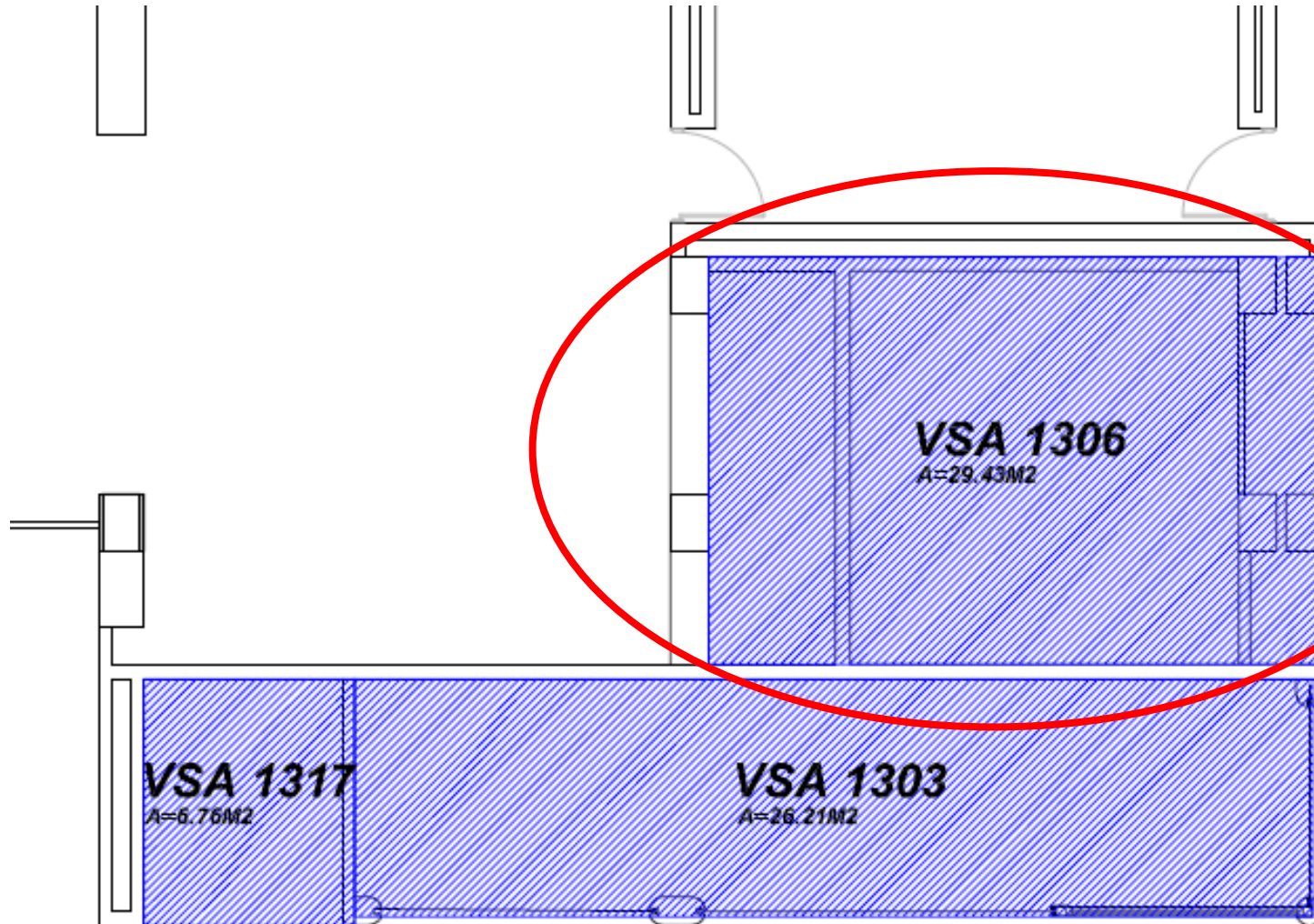
# Villahermosa Airport



Villahermosa Airport

Unit: VSA 1306

Area: 29.43 m<sup>2</sup> (lower level, landside concourse)



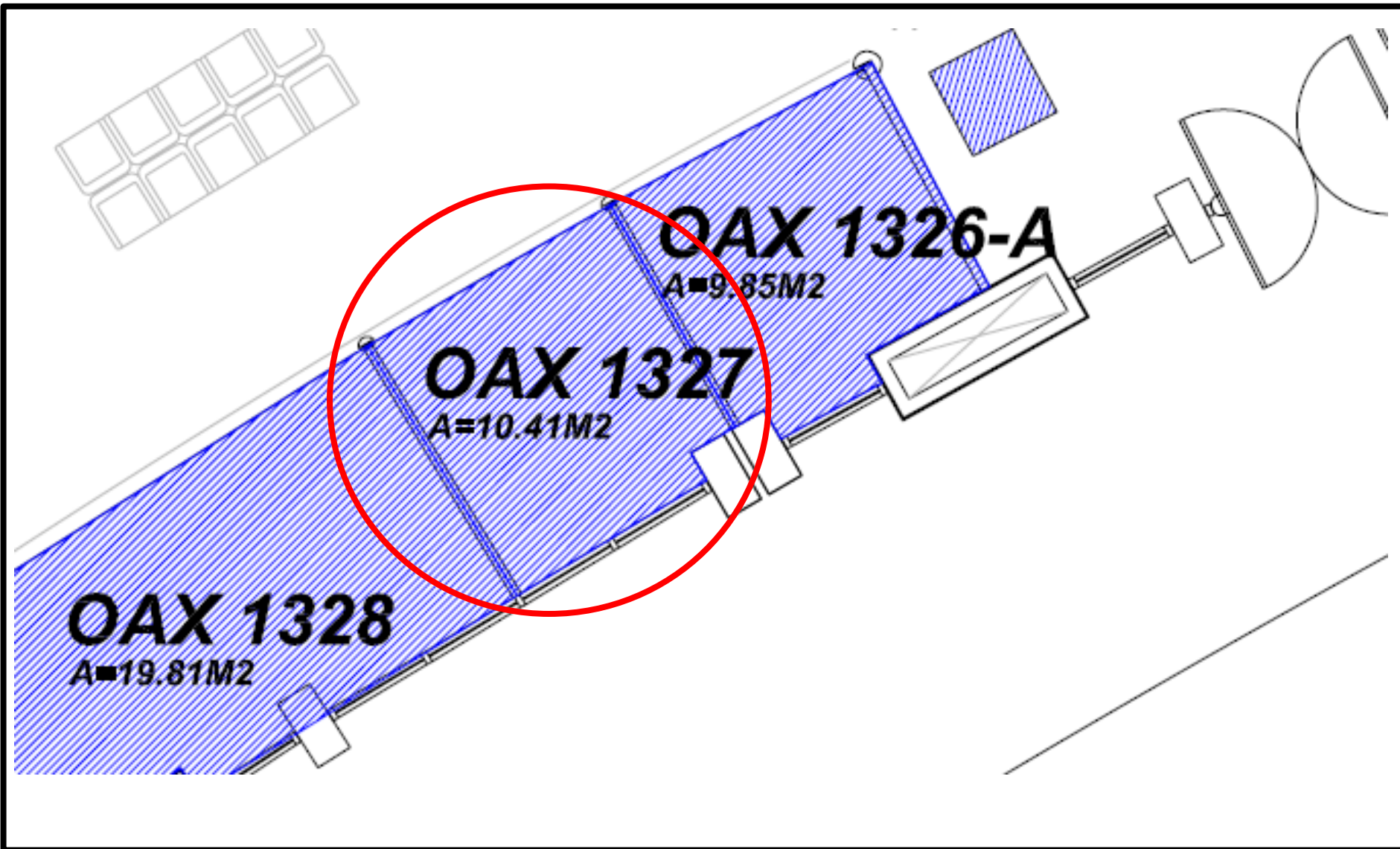
# Oaxaca Airport



Oaxaca Airport

Unit: OAX 1327

Area: 10.41 m<sup>2</sup> (lower level, landside concourse)



Oaxaca Airport

Unit: OAX 1209

Area: 10.48 m<sup>2</sup> (lower level, airside arrivals)



**OAX 1209**  
A=10.48M<sup>2</sup>

**OAX 1333**  
A=4.82M<sup>2</sup>

**OAX 1338**  
A=6.41M<sup>2</sup>

**OAX 1**  
A=6.43M<sup>2</sup>

Oaxaca Airport

Unit: OAX 1333

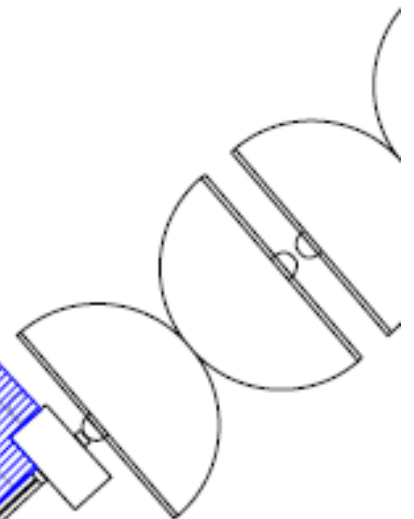
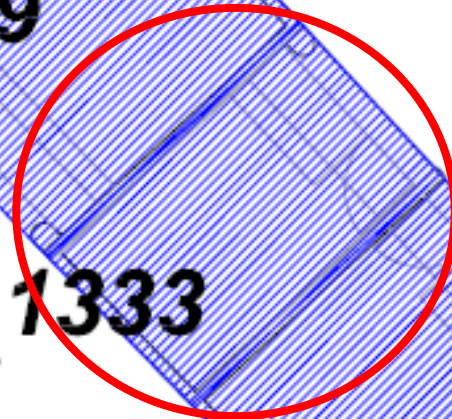
Area: 4.82 m<sup>2</sup> (lower level, landside concourse)

**OAX 1209**  
A=10.48M<sup>2</sup>

**OAX 1333**  
A=4.82M<sup>2</sup>

**OAX 1338**  
A=6.41M<sup>2</sup>

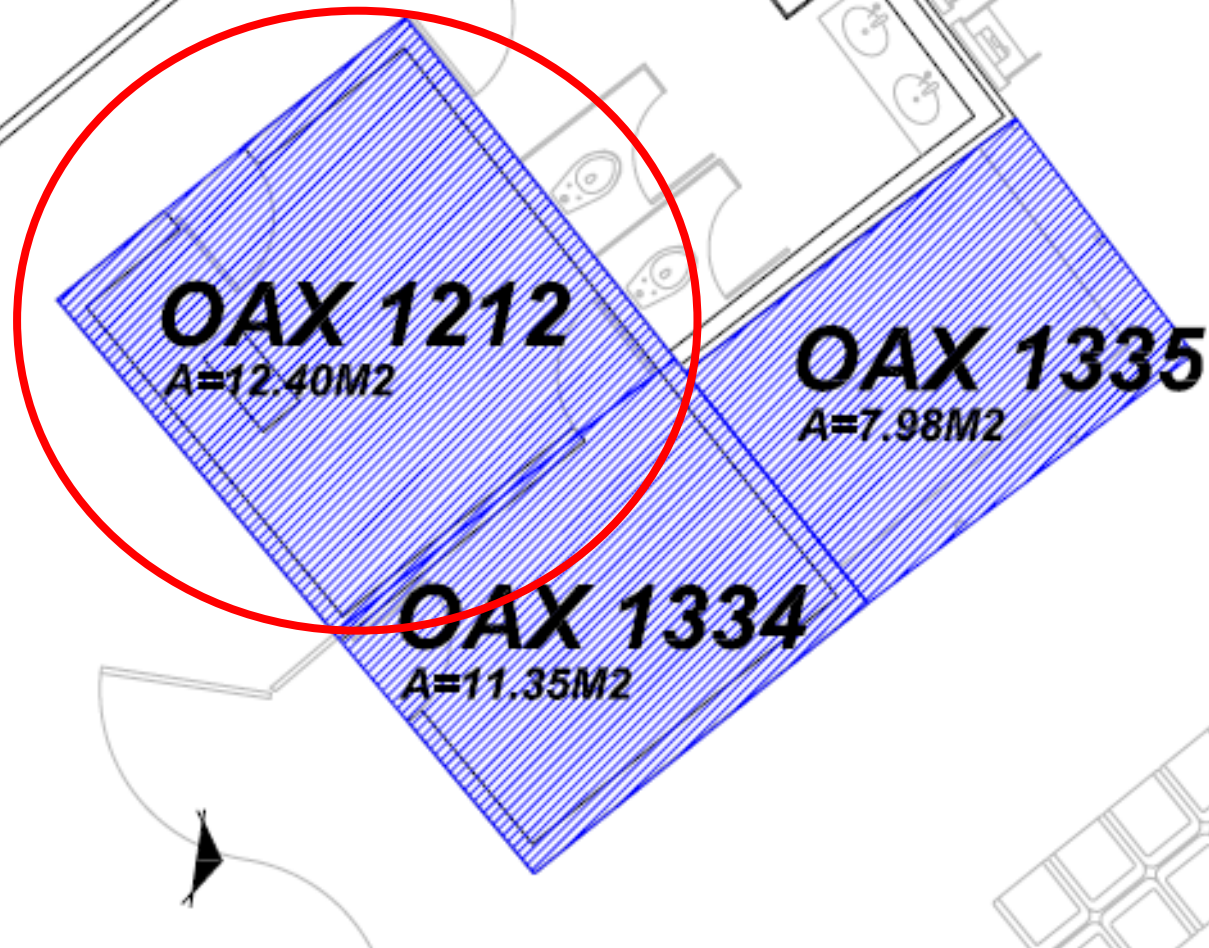
**OAX 1333**  
A=6.43M<sup>2</sup>



Oaxaca Airport

Unit: OAX 1212

Area: 12.40 m<sup>2</sup> (lower level, airside arrivals)



Oaxaca Airport

Unit: OAX 1702

Area: 61.09 m<sup>2</sup> (upper level, landside)

